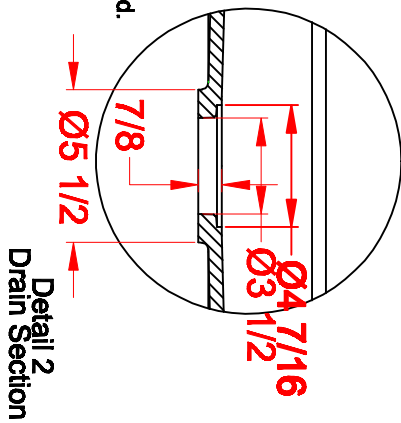
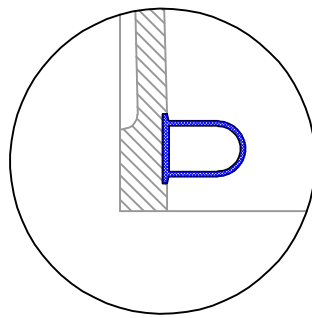
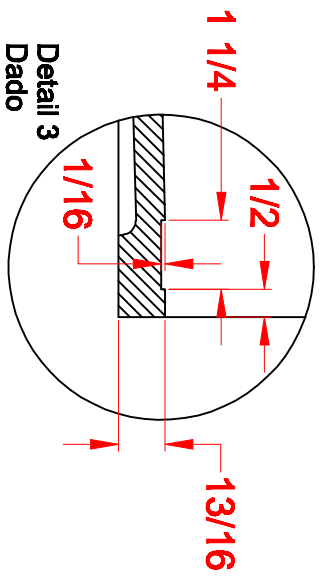


- NOTES:
1. Pan is to be made from existing mold and modified to accept collapsible threshold.
  2. Pan is to have collapsible threshold installed to pan from the plant.

**SLOPE DRAIN IS 1/4" PER FT.  
ANGLE 1.2°**



# AVONITE SURFACES

PART NUMBER:	8KGS7PADA.9899
DESCRIPTION:	ADA ROLL-IN TRANSFER PAN WITH COLLAPSIBLE THRESHOLD 36"x36"
DATE DRAWN:	5-17-2010
DWG. NUMBER:	

**Design Disclaimer:**  
Avonite Surfaces is the manufacturer of sheets of material and is not in the business of designing, fabricating, or performing installations; nor do we employ architects skilled in the art of design. Any and all liability for a design rests with the architect, or the designer, or the owner, or the user, based on whatever contractual arrangements have been made.