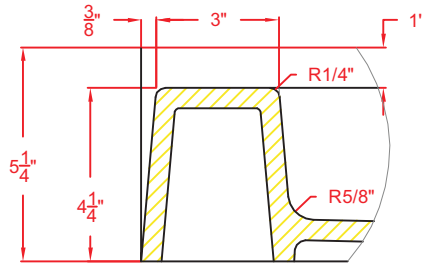
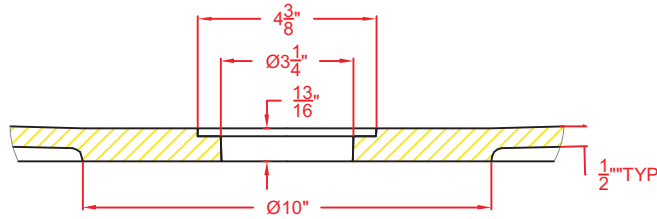


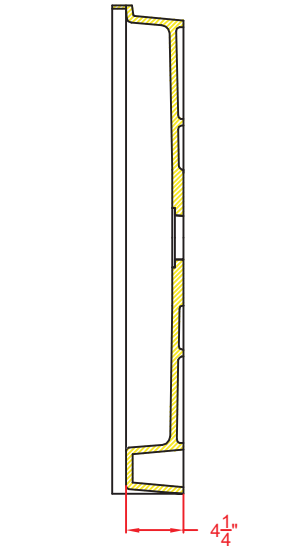
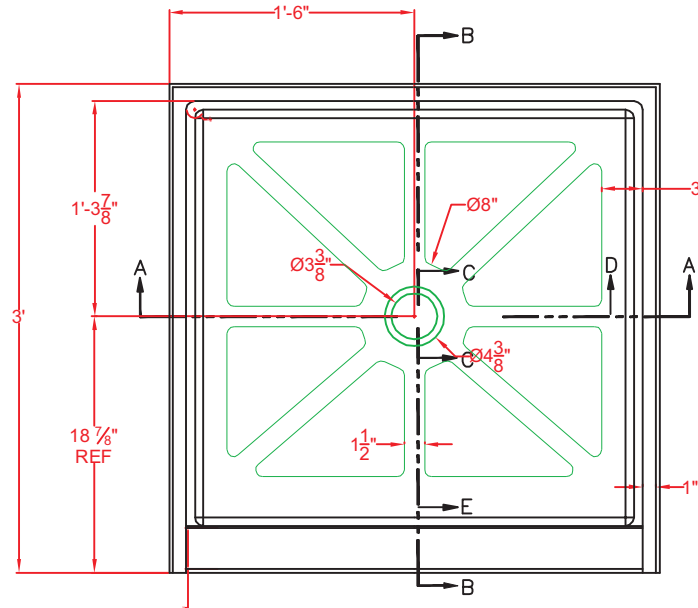
Section D-A



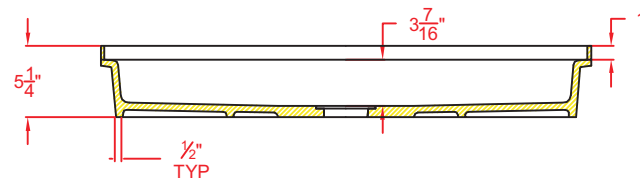
Section E-B



Section C-C



Section B-B



Section A-A

Shower Pan conforms to ANSI Z124.1.2

Refer to installation instructions included with shower pan prior to installation

Installation instructions can also be downloaded from www.avonitesurfaces.com

Overall dimensional tolerance is $+1/8$ " / $-1/4$ "

Rough Opening is width $+1/8$ "

PART NUMBER:	SKCSTP3636-** (color)
DESCRIPTION:	SINGLE THRESHOLD 36" x 36"
DATE DRAWN:	5-17-2010
DWG. NUMBER:	