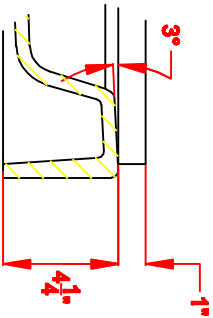
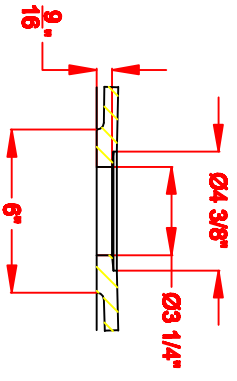


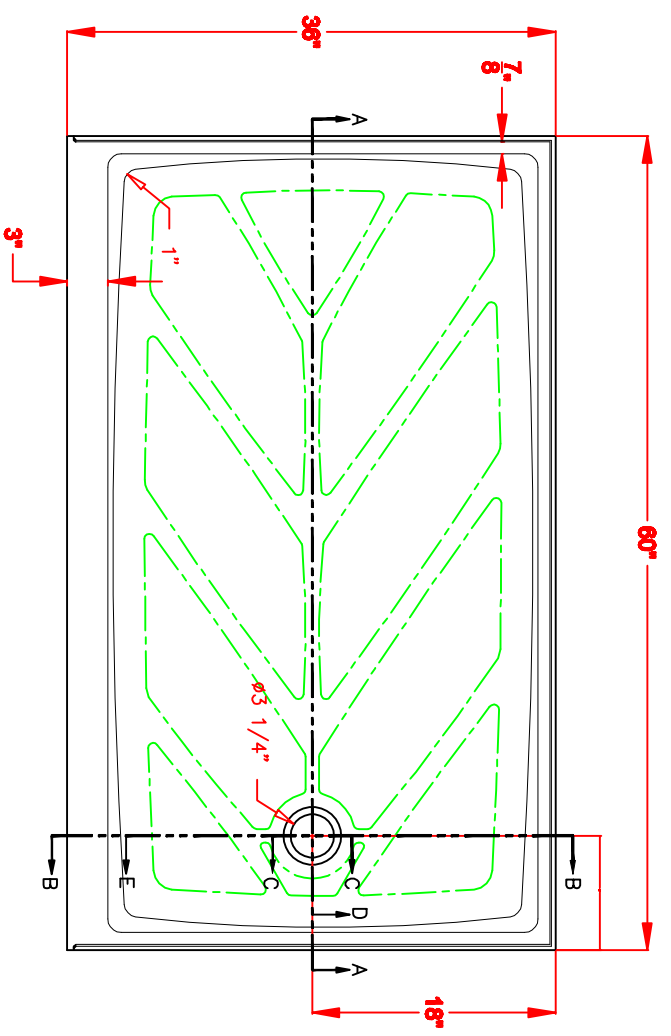
Section D-A



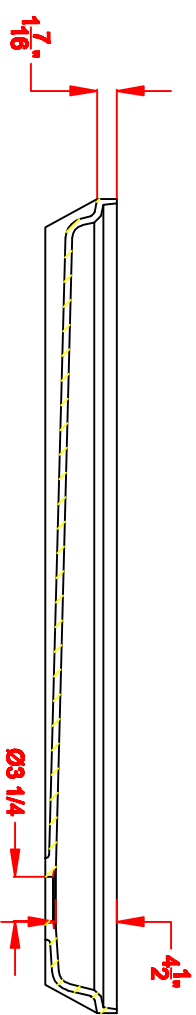
Section B-E



Section C-C



Section B-B



Section A-A

**AVONITE**  
SURFACES

PART NUMBER:	SKCSTP3290
DESCRIPTION:	DECOR SHOWER PAN, SINGLE THRESHOLD - RIGHT DRAIN 36" x 60"
DATE DRAWN:	5-17-2010
DWG. NUMBER:	

**Design Disclaimer**  
Avonite Acrylics is the manufacturer of sheets of material and is not in the business of designing, fabricating, or performing installations; nor do we employ architects skilled in the art of design. Any and all liability for a design rests with the architect, or the designer, or the owner, or the user, based on whatever contractual arrangements have been made.