



Wet Wall Panels and Accessories

Please read the instructions carefully prior to installing the wall system. This document will give you basic instructions for the installation of wet wall panels in a step-by-step sequence that will work in most types of installations. If you have an installation that is not covered, please call Avonite Technical Services with any questions.

Warning—Please inspect all items and report any damage. Store panels in a flat area to avoid warping until the time of installation. Allow panels to acclimate to room temperature before installing.

Recommended Tools and Supplies for Installation

- Circular Saw with Carbide Tip Blade (24-40 tooth)
- Random Orbital Sander
- Belt Sander w/80 Grit Belt
- 150-320 Grit Sandpaper & Scotch Brite Pad
- Installation Kit or Hot Melt Gun & Glue Sticks
- Drill, Hole Saw, 1/2" Diameter Bit (Sharp)
- Caulk Gun & Silicone
- Level
- Square
- Jig Saw with Wood Finish Blade
- Compass or Scribe Tool
- Denatured Alcohol
- Clean Shop Rags
- 1x4 x 8' Wood for Bracing (4 pcs.)
- Paintable Latex Caulk

Preparing the Site

- Prepare the area with moisture resistant dry wall, or tile backer board. Never install directly on any wall construction that is, or may become, damp.
- When installing over ceramic tile, check for loose tiles. If you find any, correct the problem. Make sure that the area to be covered is uniform in support. If not, build up the areas without tile. Remove the bottom row of tile and cut a ventilation gap in the substrate.
- On every installation, make sure that there is a 1/2"-1" clearance between the top of the shower pan or tub deck and the bottom of the substrate. This will allow for ventilation and keep water leaks from wicking up the substrate. (Figure 1)

Preparation for Accessories

Recessed Accessories

Make sure the accessories will fit near, but not in, a stud and closer to the center of the sheet. Make sure no electrical wiring or plumbing is present before cutting out for the accessories. Make the cutout in the substrate to receive the accessory.

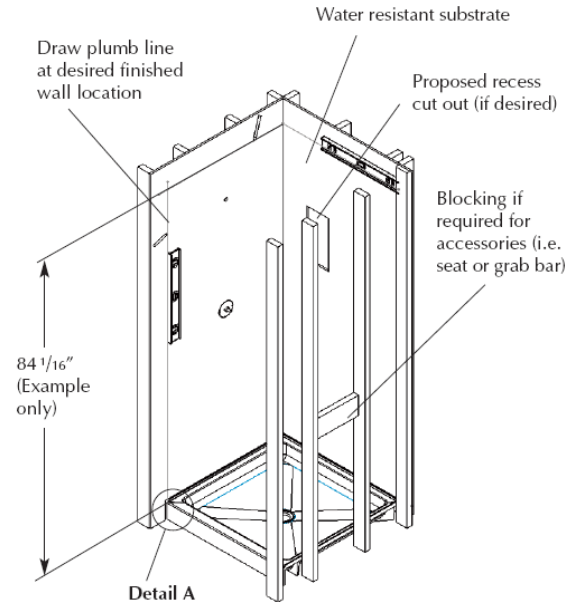
Surface Mounted Accessories

If a surface mounted accessory, such as a grab bar, is going to be installed, make sure 2" x 6" wood blocking is installed behind the substrate where the surface mounted accessory will be located. This will insure that there is solid backing for any screws that need to be used in the installation.

Measuring for Installation

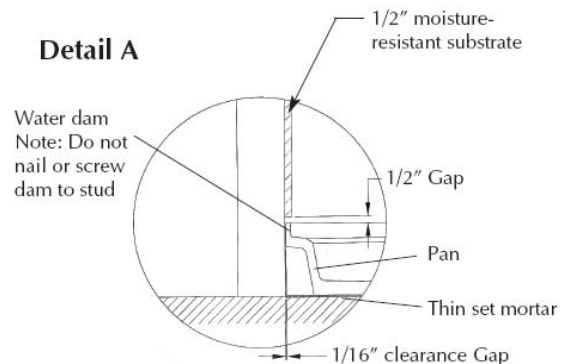
1. Determine your desired wall panel height. Allow for a $\frac{1}{16}$ " gap between the panel and shower/tub base for a better silicone seal.
2. Panels should be installed in the following order, Back wall, Side wall without plumbing and then the plumbing wall.
3. You may need to draw level and plumb lines on the wall to determine whether your shower pan or walls are out of square. Using the reference line and measuring from the lowest point on tub or widest point on the wall, determine how your panels will need to be cut. Transfer this data to the panels. (Figure 1)
4. Check your measurements and cut the panels with a circular saw or jig saw. You may make final adjustments to your cuts with a belt sander.

Figure 1



Measuring and Making Cutouts

1. All inside corners of cutouts should have a minimum $\frac{1}{4}$ " radius. Do not cut sharp inside corners.
2. Locate the location of the plumbing holes. Transfer the data to the panels. Cut the holes a minimum $\frac{1}{4}$ " larger than the pipe diameters. The cover plates for the plumbing fixtures may allow for more variance. Consult the plumbing fixture installation instructions for templates and recommended hole cut out sizes. Check your measurements and using a jig saw or standard bimetal hole saw, cut out the plumbing holes.
3. Once the panels are cut to size, locate the caddy cutouts, marking the cut out locations. Cut the caddies out after the panels have been installed.



Mounting the Panels (Figure 2)

1. Shim: Place shims ($\frac{1}{16}$ " thick) at the base of where the sheets will rest. This allows for better flow of the silicone. Laminate chips make great shims. (Shims may not be necessary if the slope of the pan creates a natural adhesion gap.)

2. Trial Fit & Scribe the Panels As Needed: Place the panel on the shims where it will be installed and check the fit. If necessary, scribe the panel for a better fit. Trim the scribe with a belt sander.

3. Clean the Sheets and Installation Area: With denatured alcohol and a clean rag, clean the back of the sheets and the substrate, along with any other area that will be in contact with the silicone.

4. If using an installation kit, prior to applying the silicone adhesive, apply the butyl tape about 2" from the edge, around the perimeter of the panel.

5. Apply the silicone adhesive, about 1" from the edge, around the perimeter of the panel. Place quarter sized dots of silicone adhesive every 8-10 inches apart over the surface of the panel. If Accessories are being used, on the wall, place a bead of silicone around the cut out location.

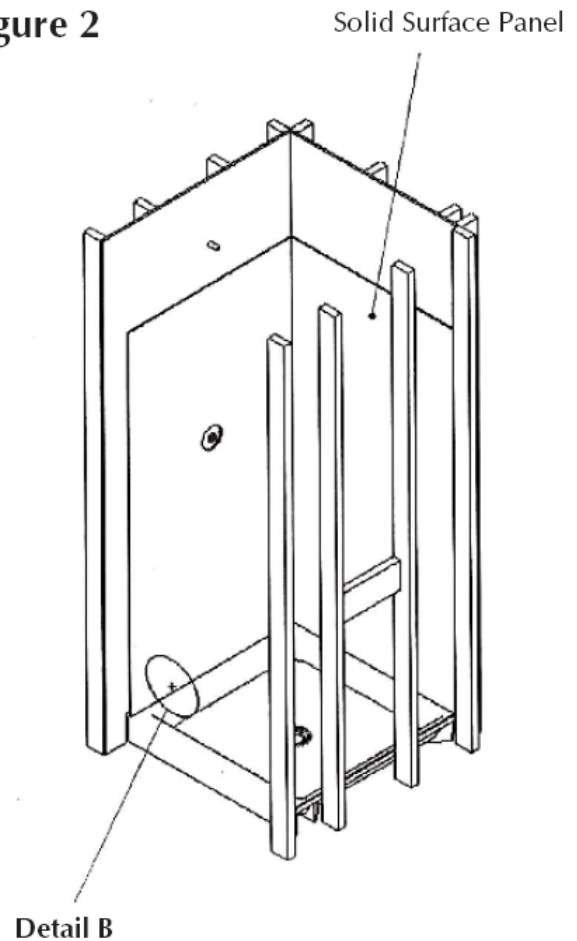
6. Place the panel on the $\frac{1}{16}$ " shims, line up any holes, and firmly press the panel in place.

7. If using a hot melt glue gun, apply the silicone as stated in steps 4 & 5, apply hot melt along the back edge of the panel where it will be attached to the substrate and press the panel firmly into place. The hot melt will hold the panel until the silicone sets up.

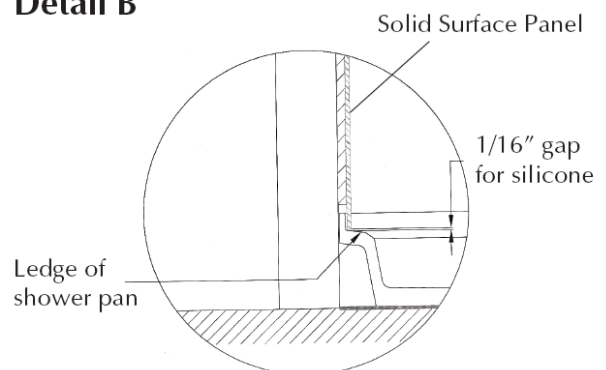
8. If you find the panel pulling from the wall, bracing may be necessary. Use 1 x 4 boards, or other dimensional lumber, and brace the panels where needed as illustrated. (Figure 3)

9. Allow the silicone to cure. Make all remaining cut outs. Silicone between the panel and the substrate along the cut out edge and install the accessory.

Figure 2



Detail B





11. Once the silicone is set up and the panel is secure, install the optional components

12. Install any surface mounted items, such as grab bars, shower seats, etc, make sure that the screw hole drilled into the panel is 1/16" larger than the screw so that the accessory is held in place by the wood blocking and not the panel. If the accessory is to be ADA compliant, please refer to the ADA guidelines for the proper heights and locations.

Figure 3

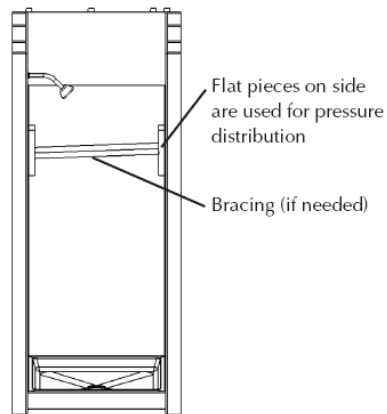
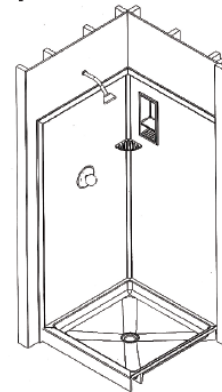


Figure 4



Installing Optional Trim

- Trim should be installed using silicone adhesive. Hot melt glue should be used to tack the trim in place while silicone cures. Clean all joints with denatured alcohol before applying silicone.
- Caulk all inside joints with the color matched silicone.
- Caulk outside joints with paintable caulk where wall surfaces are painted, or silicone if wall surfaces are unpainted.
- Clean up silicone with denatured alcohol while silicone is still wet.



Surface Mounted Shelf Accessory

These instructions apply to the shelf accessories that are designed to rest flush against the corner of two wall panels and not recessed within a wall panel.

1. For ease of installation, clean the mounting area of the panels with denatured alcohol.
2. Use the level and mark on each panel where the shelf unit should be placed. Hot melt or tape two indexing blocks (small pieces of wood or solid surface) where the shelf unit will be mounted, using the marks from above. These blocks will ensure that the mounting is level and will hold the unit in place until the silicone adhesive dries.
3. Apply silicone to the sides of the accessory that will be in contact with the wall panels. Leave several spots between the silicone on the accessory to apply hot glue or tape.
4. Apply small amounts of hot melt or tape to the accessory in several places and immediately press the accessory into the wall panels, making sure that it is straight and flush against the wall panels and index blocks.
5. Hold the accessory in place for 30 seconds or until the hot melt has cured. The hot melt should hold the accessory in place until the silicone cures. Remove any excess silicone around the shelf accessory before it dries.
6. Once the accessory is securely in place, the index blocks can be removed if desired. Apply silicone to all edges of the accessory that contact the wall panels. Let silicone cure for 24 hours in the dry environment before resting objects on the shelf accessory.

Note: *Never try to screw into the wall panel.*

Recessed Shelf Accessory

These instructions apply to the shelf accessories that are designed to be recessed within a wall panel.

1. Make sure no electrical wiring or plumbing is present before cutting out the location for the accessory.
2. Measure, level and mark the panel for the location of the accessory. Place the accessory against the wall panel and trace the outline of the back of the accessory unit against the wall panel.
3. Use the drill and hole saw to drill a hole inside the outline for the accessory item, to be used as starting point for the jig saw to cut the opening. Use a jig saw with a fine to medium tooth blade to cut the opening for the accessory.
4. Dry fit the accessory to ensure a proper fit. The shelf accessory should fit tightly within the opening. If the accessory does not fit, repeat step 4 until the proper fit is achieved.
5. Clean the mounting area of the panels and shelf accessory with denatured alcohol.
6. Apply silicone to the sides of the accessory that will be in contact with the shower panels.
7. Press the accessory into the opening, making sure that it is flush against the wall panel. Clean any excess silicone from the wall panel or shelf accessory before the silicone dries.
8. Once the accessory is securely in place, apply silicone to all edges of the accessory that contact the wall panel. Let silicone cure for 24 hours in dry environment before resting objects on the shelf accessory.



Pan Installation

Please read the instructions carefully prior to installing the pan. These are the basic instructions for the installation of a shower pan in a step-by-step sequence that will work in most types of installations. If you have an installation that is not covered here, please call your Avonite Technical Services for additional information.

Warning—Please inspect the shower pan for breakage and report any damage to your Avonite representative. Allow the shower pan to acclimate to room temperature before installing.

Tools and Supplies Needed for Installation

- Level
- Silicone/Plumber's Putty
- Thin-Set Mortar & Water
- Shims
- Wrench
- 1/4" -1/2" Grooved Trowel
- Drain Fitting
- 5-gallon empty bucket
- Tool for mixing Thin-Set Mortar

Preparing the Installation Site

- Open shower pan and inspect the product for any damage.
- Clean and scrape the floor of the shower pan alcove.
This space must be free of any debris in order to get a proper adhesion with the thin-set mortar.
- Measure the size of the alcove to insure that the pan and panels fit properly.
- Trial fit the pan in the alcove and make sure that the drain location lines up properly with the shower pan.

In a three wall application, the pan should slide in easily with approximately $\frac{1}{16}$ " - $\frac{1}{8}$ " spacing between the studs and the pan. Placing a level on the pan, check that the pan sits level on the floor. If needed, use shims to level the pan in the alcove. Note the shim locations before removing the pan. Lean the pan back or remove from the alcove.

Installing the Pan

- Install the drain fitting into the shower pan. Follow the installation instructions that came with the drain. Plumber's putty or silicone are acceptable to use with the drain.
- Mix and apply thin-set mortar to the floor, using the notched trowel. Spread the mixture to achieve a depth necessary to fill the voids in the floor and enable the pan to sit level. A 50 lb. bag of thin-set should provide at least 45-50 square feet of coverage. All supporting points should have contact with the thin-set mortar.
- After applying the thin-set, replace the shims (if necessary) in the proper location and set the pan into place. Make sure the pan is resting level on the thin-set and shims and centered in opening.
- Clean the area at the threshold of any excess thin-set. Allow the thin-set and shower pan to cure for 24 hours before working in the pan area. Be sure to protect the pan floor after installation, using card board sheeting or a like material, until the complete project is finished.
- Before proceeding to install the wall system, flood test the shower pan for proper drainage.